

### Kit Contents

Description	Part No	Pcs
Shock absorber	HD 778	2
Bracket base	61125-17	2
Bracket	61125-15	2
Bracket reservoir 44	03102-05	2
Screw 5/16"-18 UNC 1-3/4"	03128-06	4
Screw M6x14	00382-16	10
Spacer 9/14.5-14.2	61122-01	2
Spacer 9/14.5-23.1	61122-03	2
Spacer 9/14.5-7	61122-04	2
Washer 13/28.6/2.3	60050-02	4
Sticker set"ÖHLINS"	10207-01	1
Tool preload adjuster	03199-01	1
Owners manual	07241-02	1

#### 👁 Note!

Please note that this image is a general representation of the product and may differ slightly from your product.

#### 👁 Note!

Please note that during storage and transportation, especially at high ambient temperature, some of the oil and grease used for assembling may leak and stain the packaging. This is in no way detrimental to the product, wipe off the excessive oil/grease with a cloth.

#### 👁 Note!

Before installing this product, check the contents of the kit. If anything is missing, please contact an Öhlins dealer.

#### ⚠ Warning!

Before installing this product, read the Öhlins Owner's Manual. The shock absorber/front fork/steering damper is an important part of your vehicle and will affect the stability.

## Shock absorber for Harley Davidson Touring

# HD 778

## Mounting Instructions



# MOUNTING INSTRUCTIONS

## **⚠ Warning!**

*It is advisable to have an Öhlins dealer install the shock absorber/front fork/steering damper.*

## **⚠ Warning!**

*If working on a raised vehicle, ensure it is securely supported so that it will not tip.*

## **👁 Note!**

*Before mounting this product clean the vehicle thoroughly.*

## **👁 Note!**

*When working on this product, always see the Vehicle Service Manual for vehicle specific procedures and important data.*

**1**

Put the motorcycle on a workstand so that the rear wheel barely touches the ground.

**2**

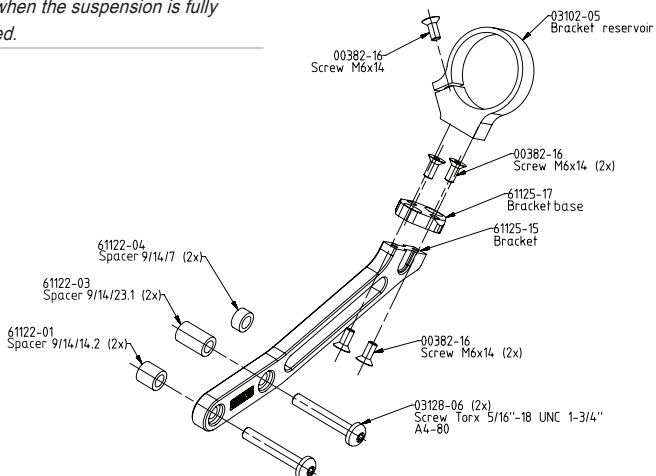
Remove the original shock absorber.

## **👁 Note!**

*Lower the vehicle so that the suspension is slightly compressed before tightening the screws.*

## **👋 Caution!**

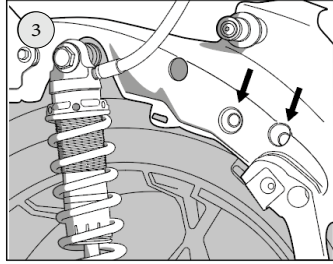
*Ensure that all screws are tightened to the correct torque and that nothing fouls or restricts movement of the shock absorber when the suspension is fully compressed or extended.*



# MOUNTING INSTRUCTIONS

3.

After shocks are installed, remove the 2 OEM bolts from the saddle bag support frame.



4.

Pre-assemble the reservoir brackets

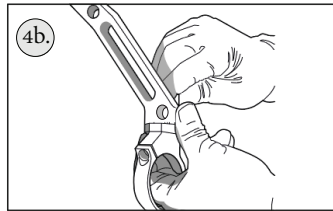
a. Attach supplied adapter plate (61125-17) to bracket (61125-15) with the provided M6x14bolts (00382-16). Use blue Loctite 242 on bolts before threading them through the counter-bored holes in the adapter plate.

b. Attach gold reservoir bracket (03102-05) to the adapter plate with the M6x14bolts (00382-16). Use blue Loctite 242 on bolts.

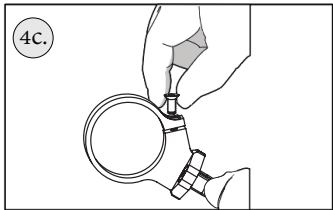


## 👁 **Note!**

*The orientation of the pinch bolt cavity of bracket 03102-05 will determine the side of the bike the assembly will be installed on. Make sure to flip this bracket when building the assembly for the opposite side to have a designated left and right side once you're done. The pinch bolts will always face towards the center of the bike if assemblies are installed and built properly.*



c. With some blue Loctite 242, Loosely install the pinch bolt (00382-16) into the reservoir bracket.



# MOUNTING INSTRUCTIONS

5.

Installing the reservoir bracket assemblies  
a. Install reservoir into the bracket but do not tighten the pinch bolt yet.

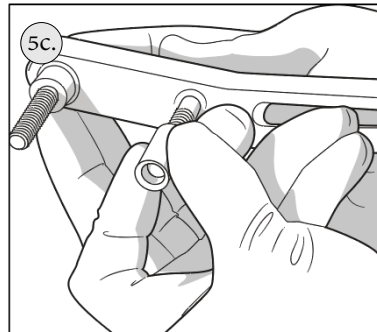
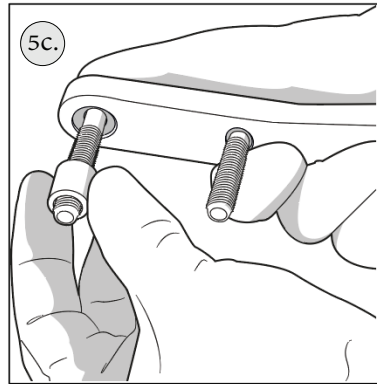
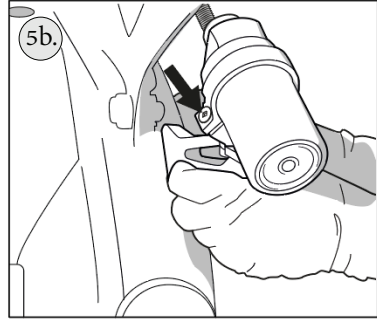
b. Reservoir bracket assemblies should be installed as shown below, with the pinch bolt oriented towards the inside of the bike.

c. Install bracket assembly to saddle bag support frame using 1 spacer 61122-01 (14.2 mm) towards the front of the bike and 1 spacer (See note) towards the rear. Use 2 of the 1-3/4" long button head screws (03128-06) to fasten onto frame using blue Loctite 242.

## Note!

Use spacers 61122-01 (14.2mm) and 61122-03 (23.1mm) on all models.

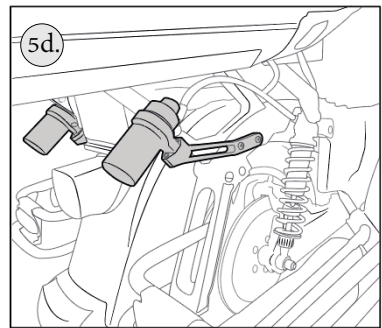
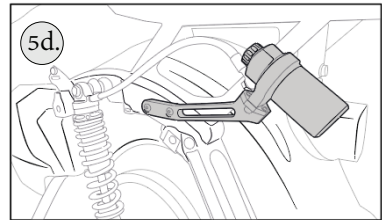
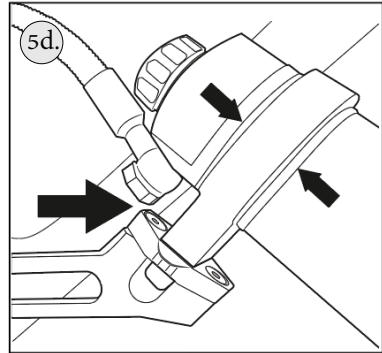
If missing Docking Hardware, add 61122-04 (7mm) on top of 61122-03 (23.1mm) to have a total spacer depth of 30.1mm.



# MOUNTING INSTRUCTIONS

d. Clock the reservoir in the reservoir bracket so that the head of the banjo bolt is oriented towards the damper, and that the clamping surface on the reservoir is centered in the clamp, then tighten the pinch bolt to finish installation on this side.

e. Repeat process for the other side.

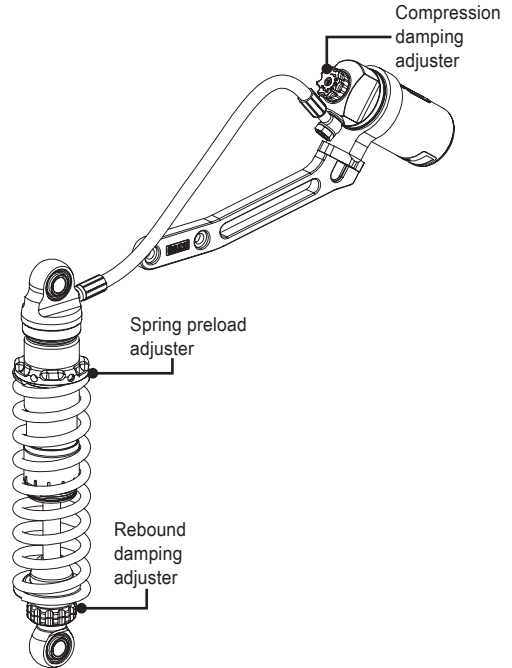


# MOUNTING INSTRUCTIONS

# MOUNTING INSTRUCTIONS

## **⚠ Warning!**

Before riding, always make sure that the basic settings made by Öhlins are according to recommended Set-up Data. Read about adjustments and setting up in the Öhlins Owner's Manual before you make any adjustments. Contact an Öhlins dealer if you have any questions about setting up.



## SETUP DATA

### Recommended set-up

Spring Preload..... 13 mm.  
Rebound adjuster ..... 20 Clicks  
Compression adjuster.... 16 Clicks

### Spring Installed spring

Part No ..... 66420-026  
Free spring length... 200 mm.  
Spring rate..... 26 N/mm  
Preload adj.range.... [0-28] mm

### Shock absorber data

Length ..... 310.5 mm.  
Stroke ..... 78.5 mm.

👁 Öhlins products are subject to continuous improvement and development, therefore, although these instructions include the most up-to-date information available at the time of printing, minor updates may occur.

To find the latest information contact an Öhlins distributor. Please contact Öhlins if you have any questions regarding the contents in this document.

Part no. MI\_HD 778\_EN\_1  
Issued 2024-06-11

© Öhlins Asia Co. Ltd. All rights reserved. Any reprinting or unauthorized use without the written permission of Öhlins Racing AB is prohibited.

Öhlins Asia Co. Ltd  
700/937 Moo5, Tambol Nongkhaga,  
Amphur Phantong, Chonburi Province  
20160 Thailand



[www.ohlins.com](http://www.ohlins.com)