

*Remote unit*

**Owner's Manual**





*Öhlins Headquarters Upplands Väsby, Sweden*

## **Öhlins Racing AB - The Story**

It was the 1970's, a young man named Kenth Öhlin spent most of his spare time pursuing his favorite sport: motocross.

Being a careful observer, Kenth's attention was continuously drawn to one specific detail - motocross bikes had more engine power than their suspension could handle. It was not long before Kenth realized that better performance could be achieved by improved wheel suspension.

Öhlins Racing was established in 1976, and just two years later the company won its first World Championship title. Despite being in the business for almost 50 years, the search for perfection and new functionalities is still the main focus of the company.

Congratulations! You are now the owner of an Öhlins product. More than 400 World Championships

and other major world titles are definitive proof that Öhlins products offer outstanding performance and reliability.

Every product has gone through rigorous testing and engineers have spent thousands of hours, doing their very best to use every possible experience from our almost 50 years in racing.

The product that you now have in your possession is a pure racing breed that is built to last.

By installing this product on your bike, you are making a clear statement: you are a serious rider with a focus on getting the maximal handling ability and outstanding feedback from your bike. Along with that comes the fact that your Öhlins product will be a long-lasting friend, delivering the very best in comfort and performance every time you ride. Now get out there and explore!

# Safety precautions

## **Note!**

*Read and ensure you understand the information in this manual and other technical documents provided by the bicycle manufacturer before using the product.*

## **Note!**

*Öhlins Racing AB can not be held responsible for any damage to the remote unit, bicycle, other property or injury to persons, if the instructions for mounting, usage and maintenance are not followed exactly.*

## **Note!**

*The product warranty shall only apply if the product has been operated and maintained in accordance with recommendations in this manual. If you have any questions regarding usage, service, inspection and/or maintenance please contact an Authorized Öhlins MTB Service Center.*

## **Note!**

*Please retain the original packaging for warranty or service needs.*

## **Note!**

*The remote lever must not be modified or changed.*

## **SAFETY SYMBOLS**

### **Note!**

*The Note Symbol indicates important information regarding procedures.*

### **Note!**

*The remote unit must not be used if there is signs of damages. If you have any concerns please contact Authorized Öhlins MTB Service Center.*

### **Note!**

*For assembly and maintenance, the remote unit requires basic mechanical skills. If you have any concerns please contact Authorized Öhlins MTB Service Center.*

### **Note!**

*For assembly of the remote unit make sure that the length of the cable housing will be long enough to secure that the handle bar can turn and rotate freely.*

### **Note!**

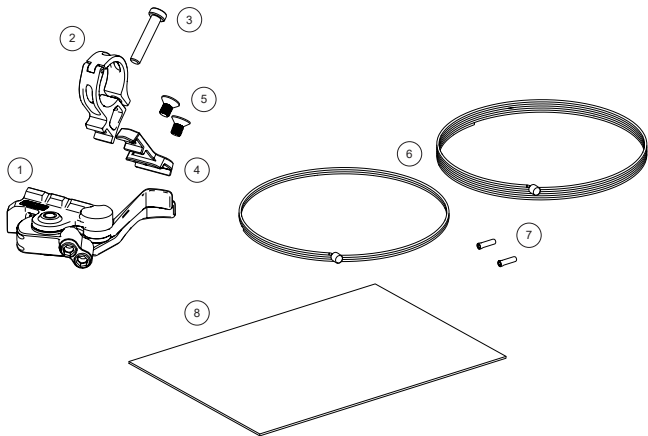
*Only use genuine Öhlins spare parts.*

### **Note!**

*The remote unit is compatible with the Öhlins front fork and shocks with remote connection. Compatibility with forks and shocks from other brands may be possible but Öhlins cannot give any function guarantee or support.*

# Package contents

Kit Contents		
	Description	Pcs
1	Remote unit	1
2	Handle bar clamp	1
3	Handle bar clamp screw	1
4	Dropper post bracket	1
5	Screws dropper post	2
6	Wires	2
7	Wire ends	2
8	Owner's manual	1



# Mounting instructions

## 👁 Note!

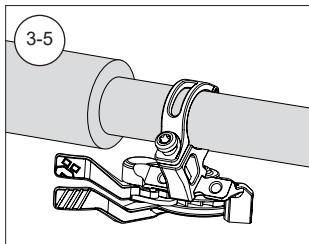
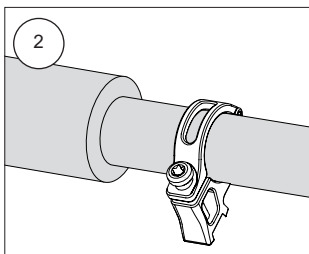
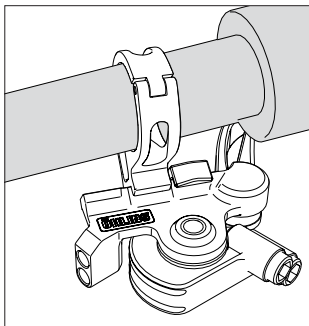
The Öhlins remote unit is compatible with the Matchmaker X interface. This gives the opportunity to have the remote unit attached to a Sram brake lever without using a clamp.

## Mount the remote unit to the handlebar

1. Put the handlebar clamp around the handle bar.
2. Attach the handlebar screw to the hole in the handle bar clamp.
3. Slide the Matchmaker X interface on the remote unit into the matching groove in the handle bar clamp.
4. Put the screw into the hole in the handle bar clamp and hand tighten it.
5. Position the remote unit so that the levers could be reached in a comfortable way and that they can move freely without interference with other parts.
6. Tighten the handle bar clamp screw using a T25 Torx key to max. 2 Nm.

## 👁 Note!

If the remote unit is attached to a carbon handle bar please check the manufacturer's user manual since the maximum torque may be lower.



# Mounting instructions

## Mount wire and wire housing on the remote unit

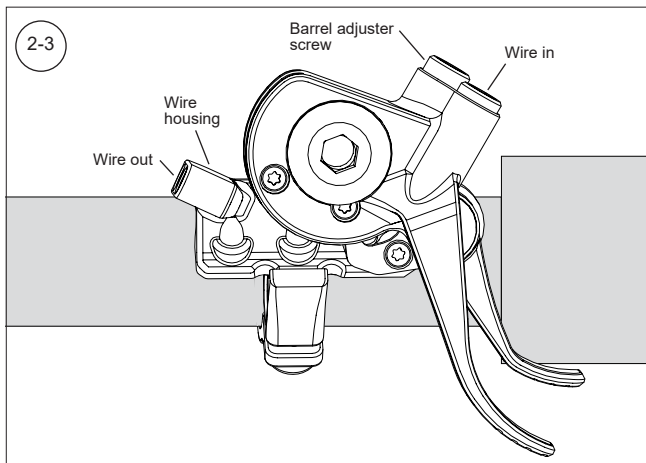
1. Shorten the wire housing to the desired length.
2. Put the wire housing in the wire housing hole in the remote unit.
3. Put the wire through the barrel screw adjuster/wire housing hole and the wire housing.

### **Note!**

*Be careful with the wire and make sure that it is not twisted when you pull it through the wire housing hole!*

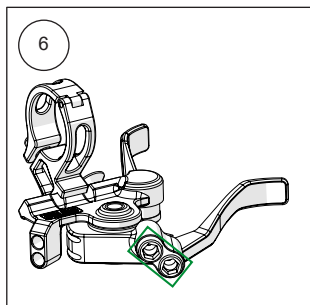
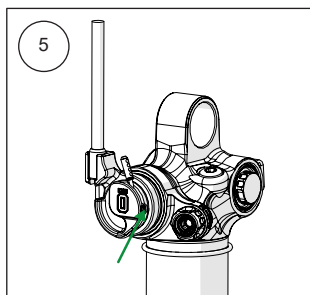
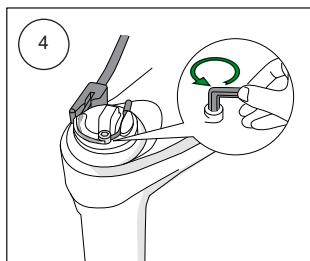
### **Note!**

*Make sure to have the barrel adjuster screws screwed all the way into their fully seated position during installation to achieve good range of adjustment.*



# Mounting instructions

4. Install the remote connection wire. Use a 1.5 mm hex torque wrench to tighten the set screw to 0.4 Nm. Make sure there is no slack in the wire and that the ends of the cable housing are inserted all the way into the holders.
5. Install the remote connection wire with no slack in the system. Use a 2 mm hex torque wrench to tighten the set screw to 0.4 Nm.
6. Use a 5 mm hex key to adjust the pre tension on the wire. Adjust until placing the remote lever in lock out mode results in a stiff feeling in the fork/shock while trying to compress it.
7. Attach the wire end crimp on the wire.



# Mounting instructions

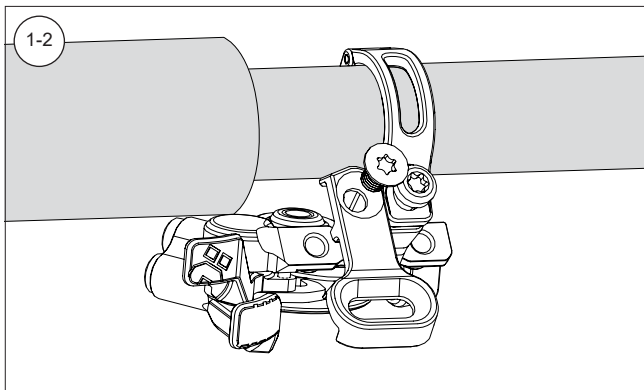
## Mount the dropper post bracket

### **Note!**

*The dropper post bracket is compatible with the Sram Matchmaker X interface.*

1. Attach the dropper post bracket to the remote unit.
2. Put the screw into the hole and tighten it to max 2 Nm using a Torx T25 key.
3. Attach the dropper post lever to the bracket.
4. Put the screw into the hole and tighten it to max 2 Nm using a Torx T25 key.

For further installing instructions see the dropper post manufacturer's user manual.



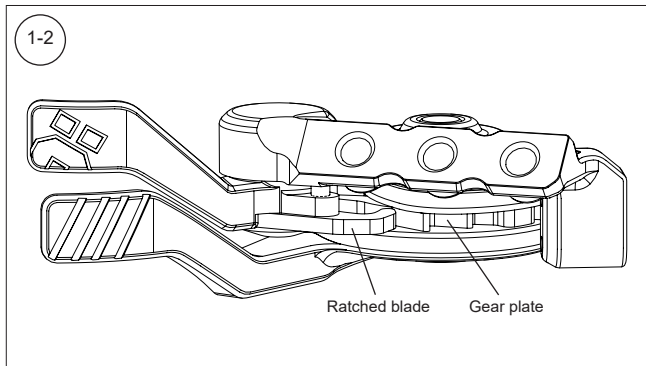


Extreme riding in adverse weather conditions or lack of cleaning will shorten service intervals.

Maintenance	Interval
Check functionality	Before every ride
Check that the remote unit is fastened	Before every ride
Clean dirt and debris from the remote unit	After every ride
Check the remote unit for damage	Regularly
Clean and grease the ratchet blade/gear plate	Regularly

## Clean/grease the ratchet blade/ gear plate

1. Put the remote lever to the fully open position.
2. Clean the ratchet blade/gear plate by using disc brake cleaner and a paper cloth or rag.
3. Apply universal grease on the gear plate grooves and the tip of the ratchet blade.
4. Operate the remote lever a couple of times.







Your Öhlins retailer:

Öhlins Racing AB  
Box 722  
SE-194 27, Upplands Väsby, Sweden

Phone: +46 (0)8 590 025 00  
Fax: +46 (0)8 590 025 80  
[www.ohlins.com](http://www.ohlins.com)

